

Amplified Spontaneous Emission Broadband Light Source

Amplified Spontaneous Emission (ASE) light source series provide a wide wavelength range and high output power to help you maximize your capabilities of optical component spectral measurements and systems compliance tests both in manufacturing and R&D environments.

All ASE-Ys are available in Bench Top, 1U 19" Rack-mount, Gain Block or Module formats.



Features

- High Output Power from 13 dBm to 20 dBm
- Wavelengths range from 1030nm to 1080nm
- Wide spectral bandwidth
- High power density
- High spectral stability
- Multi-Output Option up to 4 ports
- RS232 or USB interface
- High performance-to-cost ratio
- Optional build-in attenuator and optical Power monitor
- Custom design flexibility

Applications

- Optical components test
- R&D test
- Sensors and imaging

Specifications

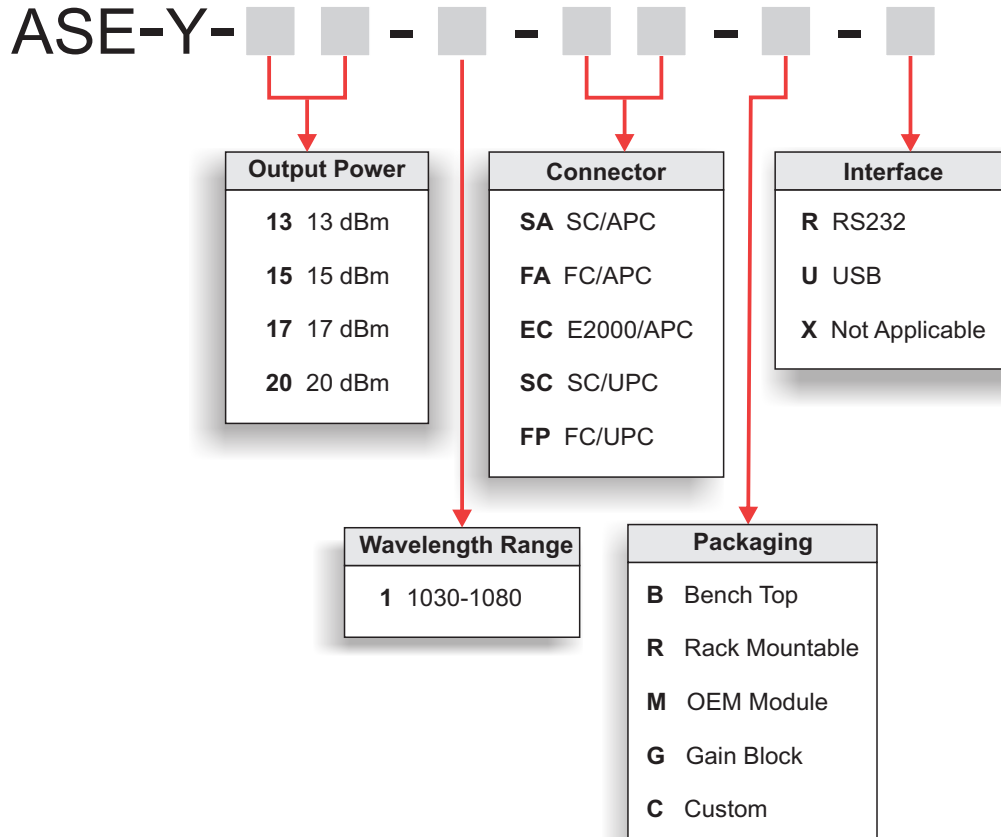
Parameters	Unit	
Total output power	dBm	13 to 20
Operating wavelength range	nm	1030 – 1080
Gain flattened range	nm	1529 – 1565
Number of outputs ports		1,2,4
Port to port variation	dB	+/- 0.4
Total power stability ¹	dB	0.2
Output polarization		Unpolarized
Output isolation	dB	30
Return loss	dB	45
Operating temperature	C	0 to +50
Storage temperature	C	-40 to +85
Humidity	%	0 to 95 (Non-condensing)

(1) Measured at 23°C after one hour warm up

Ordering information

Indicate your requirements by selecting one option from each configuration table.
For more information on this or other products and their availability, please contact QGLex Inc.

Sample: ASE-Y-15-1-SA-M-R



QGLex Inc.
105 Schneider Rd., Suite 111
Ottawa, ON, Canada
K2K 1Y3
Info@qglexinc.com
www.QGLexInc.com



Copyright QGLex Inc. All rights reserved.

The user assumes all risks and liability whatsoever in connection with the use of a product or its application QGLex Inc. reserves the right to change at any time without notice the design, specifications or function of its products described herein, including withdrawal at any time of a product offered for sale herein.