

EYDFA Optical Fiber Amplifiers for CATV Applications

The OAB-C-EY series of high performance, high output power and low noise Erbium Ytterbium Doped Fiber Amplifiers provide the perfect opportunity to build flexible CATV network systems. These amplifiers are available in both single channel and DWDM configurations. OAB-C-EY series offer a very wide range of output power with very high reliability. OAB-C-EY series can be customized to meet special customer requirements.



All OAB-C-EYs are available in 19" Rack-mount, Module or Gain Block formats.

Features

- Wide range of Output Power from 30 dBm to 36dBm
- Low noise figure
- Multi-Output Option up to 8 ports
- RS232 or USB interface
- High performance-to-cost ratio
- Low CSO and CTB
- Custom design flexibility

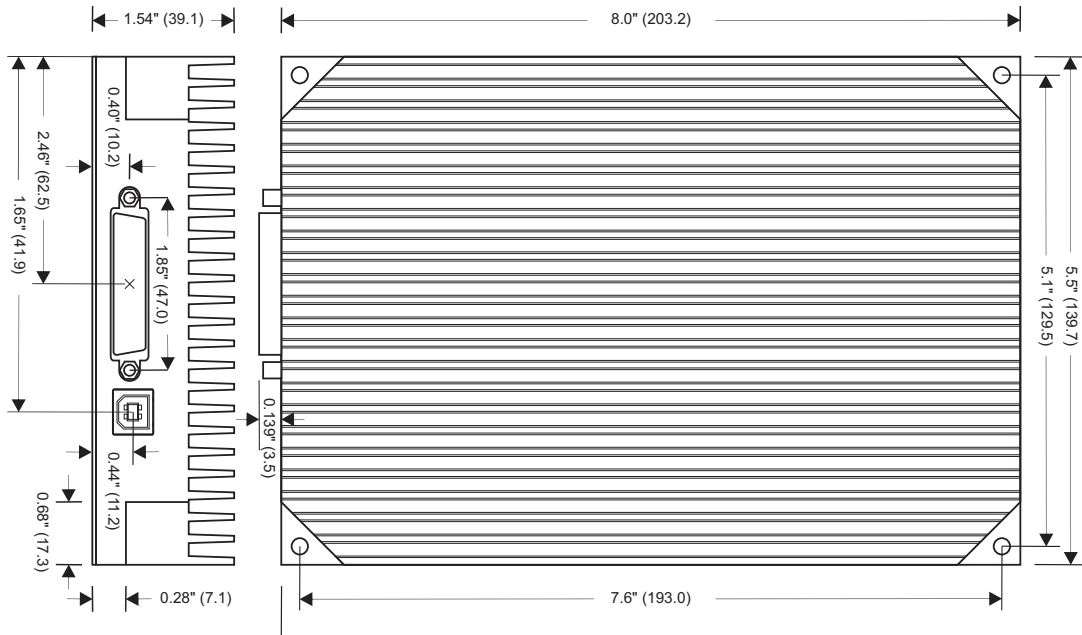
Applications

- HFC/CATV Network
- SONET/SDH systems
- LANs and MANs
- Free space communications

Specifications

Parameters	Unit	Value	Notes
Total output power (Pin=0dBm)	dBm	30 to 36	
Operating wavelength	nm	1540 – 1560	
Input power	dBm	0 to 10	
Noise figure (Pin = 0 dBm)	dB	<5	Typical
Number of output ports		1,2,4,8	
Port to port variation	dB	+/-0.4	Maximum
Backward pump leakage	dBm	<-45	Maximum
Forward pump leakage	dBm	<-30	Maximum
Return loss minimum	dB	60	Maximum
Dimension	In	8.0x5.5x1.54	LxWxH
Power Consumption	W	<33	36dBm Output
Operating temperature	C	-10 to +45	Standard
Operating temperature	C	-10 to +65	Extended
Storage temperature	C	-40 to +85	
Humidity	%	0 to 95	Non-condensing

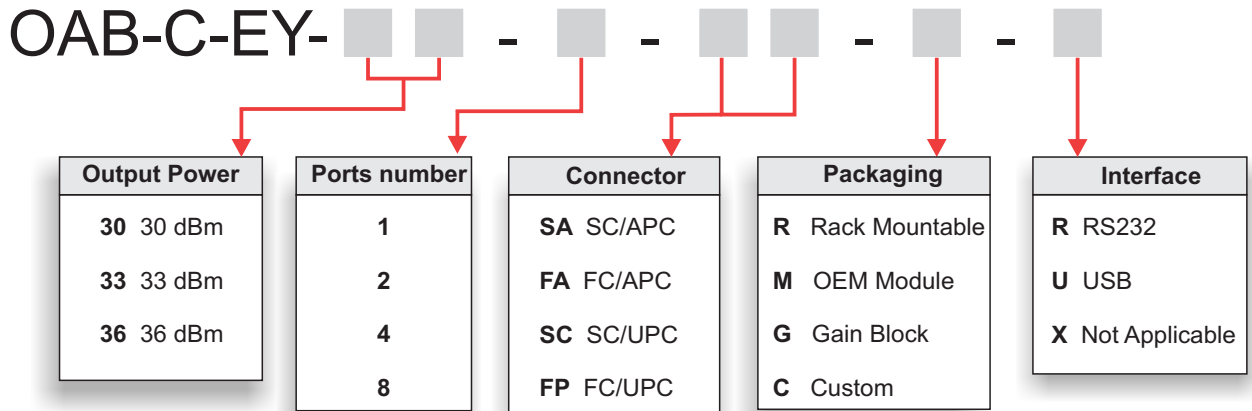
Mecanical information



Ordering information

Indicate your requirements by selecting one option from each configuration table.
For more information on this or other products and their availability, please contact QGLex Inc.

Sample: OAB-C-EY-21-2-SA-M-R



QGLex Inc.
105 Schneider Rd., Suite 111
Ottawa, ON, Canada
K2K 1Y3
Info@qglexinc.com
www.QGLexInc.com

Copyright QGLex Inc. All rights reserved.



The user assumes all risks and liability whatsoever in connection with the use of a product or its application QGLex Inc. reserves the right to change at any time without notice the design, specifications or function of its products described herein, including withdrawal at any time of a product offered for sale herein.